



SPM-D21 Series

Synchronizer / Load Control

APPLICATIONS

The SPM-D21 is a microprocessor-based synchronizer designed for use on three phase AC generators equipped with Woodward or other compatible speed controls and automatic voltage regulators. The SPM-D21 provides automatic frequency, phase and voltage matching using either analog or discrete output signals.

It combines synchronizing for a generator circuit breaker (GCB) and a mains circuit breaker (MCB), load and power factor control, and generator and mains protection.

DESCRIPTION

Synchronizing

- Separately for GCB and MCB
- Phase match or slip frequency synchronization with voltage matching
- Two-phase sensing of generator, bus, and mains
- Selectable operating modes like SPM-A (Run, Check, Permissive, and OFF)
- Synchro-check possible
- Synchronization time monitoring

Mains parallel operation

- Real power control
- True RMS power calculation
- Generator real power setpoint by parameter (2 values) or via 0/4 to 20 mA
- Soft shutdown
- Power factor control
- Power factor setpoint by parameter

Isolated operation

- Frequency control
- Voltage control

Dead bus operation

- Closing of GCB or MCB on demand

FURTHER SPM-D SYNCHRONIZERS

- The SPM-D10 Series provides two-phase generator and bus measurement refer to product specifications 37297 for more information
- The SPM-D10/YB Series provides three-phase generator and bus measurement refer to product specifications 37298 for more information
- The SPM-D11 Series provides load/var sharing refer to product specifications 37292 for more information

DESCRIPTION

Protection

- Three-phase sensing of mains voltage
- Mains over-/undervoltage (59/27)
- Mains over-/underfrequency (810/U)
- Mains phase shift (78)
- Single-phase CT sensing for generator
- Two-phase sensing of generator voltage
- Generator over-/undervoltage (59/27)
- Generator over-/underfrequency (810/U)
- Generator reverse/reduced power (32R/F)
- Generator overload (32)

ANSI

Control outputs

Standard

- Discrete raise/lower for speed/load
- Discrete raise/lower for voltage/power factor

PSVX Package

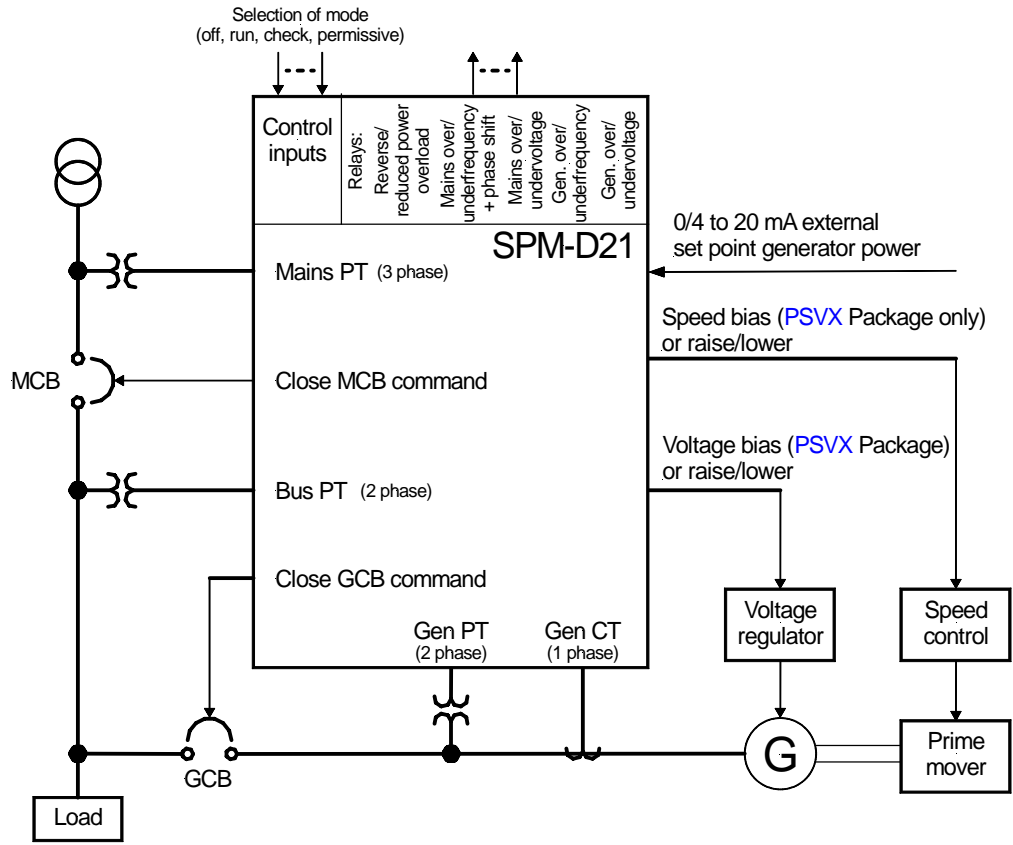
- Analog bias outputs for voltage and speed freely configurable for all levels (+/-1 V, +/-3 V, 0 to 5 V, 0.5 to 4.5 V, +/-10 V +/-5 V, 0 to 20 mA, +/-20 mA, and much more configurable)
- Speed bias output configurable as 500 Hz PWM output and adjustable voltage level
- Two raise/lower outputs configurable for either speed or voltage

Operating Features

- Two-line Liquid Crystal display for operation and alarm indication
- Synchroscope
- Indication of control activity and breaker state
- Multi-level password protection for parameters
- Configuration directly or via PC
- English or German language adjustable

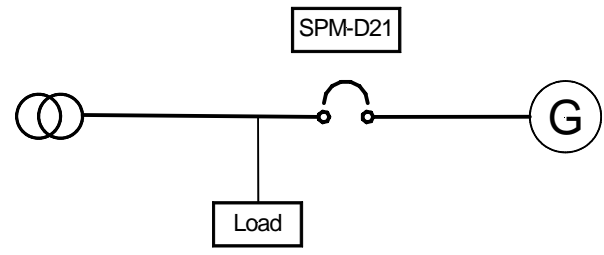
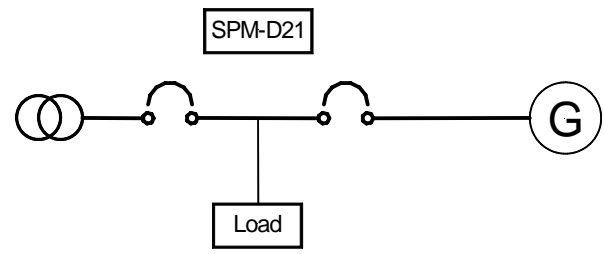
- Generator and mains protection
- Synchronization for one or two circuit breakers
- Frequency, phase, and voltage matching
- Selectable types of control output
- Digital display of generator, bus, and mains values
- Real power control
- Power factor control
- PC and front panel configurable
- Microprocessor technology for flexible and reliable operation
- CE marked
- UL/cUL Listed

APPLICATION DIAGRAM



APPLICATION DIAGRAM

- synchronizer for generator and/or mains



FEATURES OVERVIEW

International
 Woodward
 PO Box 1519
 Fort Collins CO, USA
 80522-1519
 1000 East Drake Road
 Fort Collins CO 80525
 Ph: +1 (970) 482-5811
 Fax: +1 (970) 498-3058

Europe
 Woodward Governor Company
 Leonhard-Reglerbau GmbH
 Handwerksstrasse 29
 70565 Stuttgart, Germany
 Ph: +49 (0) 711 789 54-0
 Fax: +49 (0) 711 789 54-100

Distributors & Service
 Woodward has an international network of distributors and service facilities. For your nearest representative, call the Fort Collins plant or see the Worldwide Directory on our website.

Corporate Headquarters
 Rockford IL, USA
 Ph: +1 (815) 877-7441

www.woodward.com/power

For more information contact:

Subject to technical modifications.

This document is distributed for informational purposes only. It is not to be construed as creating or becoming part of any Woodward Governor Company contractual or warranty obligation unless expressly stated in a written sales contract.

We appreciate your comments about the content of our publications. Please send comments including the document number below to stgt-doc@woodward.com

© Woodward Governor Company

All Rights Reserved

37293A - 06/3/S

SPM-D Series Two Breaker Synchronizer / Load Control	SPM-D21/PSV	SPM-D21/PSVX
Measuring/Display		
Generator voltage, 2phase	✓	✓
Generator current, 1phase	✓	✓
Busbar voltage, 2phase	✓	✓
Mains voltage, 3phase	✓	✓
Control		
Breaker	2	2
Synchronization, 2phase	✓	✓
Isolated operation	✓	✓
Mains parallel operation	✓	✓
SPM-A synchronization modes	✓	✓
Dead bus operation	✓	✓
Protection		
	ANSI #	
Generator: over-/undervoltage	(59/27)	✓
Generator: over-/underfrequency	(81O/U)	✓
Generator: overload	(32)	✓
Generator: reverse power	(32R)	✓
Generator: reduced power	(32F)	✓
Mains: over-/undervoltage	(59/27)	✓
Mains: over-/underfrequency	(81O/U)	✓
Mains: phase shift	(78)	✓
Alarm relays	5	5
Controller		
Discrete raise/lower: speed & load	✓	✓ #1
Discrete raise/lower: voltage & power factor	✓	✓ #1
Analog output: speed & load		✓
Analog output: voltage & power factor		✓
PMW output: speed & load		✓
Active power setpoint: 0/4 to 20 mA	✓	✓
Listings/Approvals		
CE marked	✓	✓
UL/cUL listed	✓	✓
Accessories		
Configuration via PC #2	✓	✓
Manuals (for other languages please refer to the Woodward homepage)		
	English	37249
	German	GR37249
Part numbers P/N		
	Measuring inputs 100 Vac, ..1 A	8440-1022
	Measuring inputs 100 Vac, ..15 A	8440-1023
	Measuring inputs 400 Vac, ..15 A #3	8440-1025

#1 Configurable to either speed/load or voltage/power factor

#2 Cable incl. software necessary (DPC)

#3 All units with 400V measuring inputs can also be used for 100V system voltage